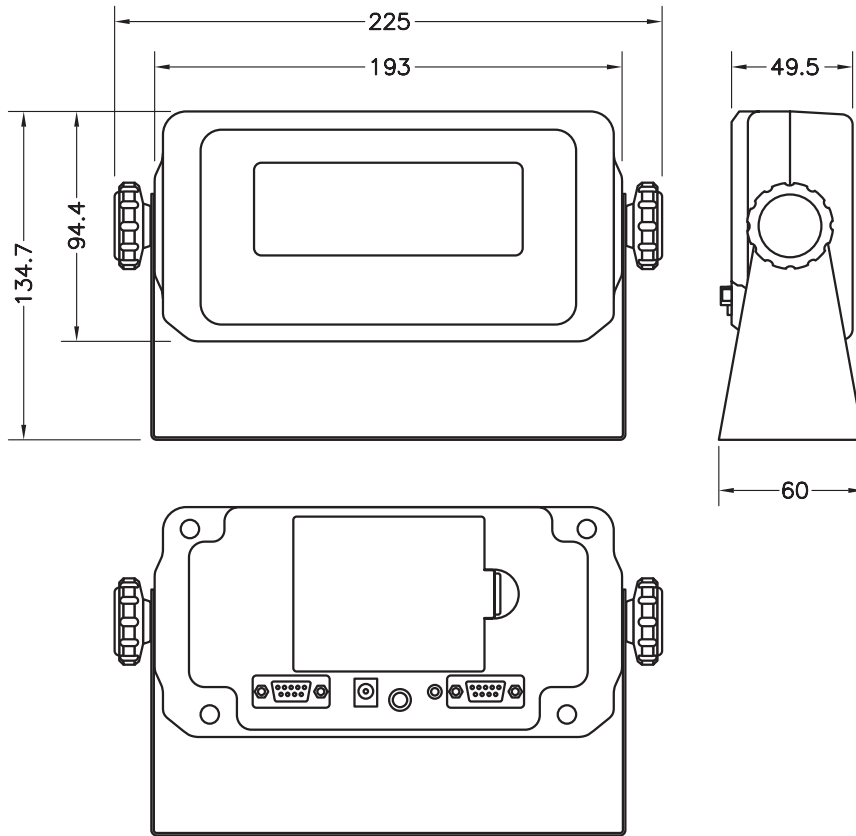


WEIGHING INDICATOR



- General purpose **Weighing Indicator**.
- Friendly **configuration and calibration menu**.
- **High resolution**: 20 bits A/D, 1 million internal divisions, 120 readings/sec. (max.)
- **Display** 6 digits 25,4 mm LCD with LED backlight.
- **RS-232 serial port** for PC or printer connection.
- **Load cell Excitation** at 5 V DC, for up to 4 load cells 350 Ω or 8 load cells 700 Ω .
- **Adaptor**: 9 V DC included.
- **Battery**: 5 units of AA size.
Battery life:
50 hours (1 load cell 350 Ω without backlight).
24 hours (4 load cells 350 Ω with backlight).
- **Plastic enclosure** with mounting kit.
- **Multi-range**: for a dual range and dual division size.
- **Animal weighing**.
- **Peak value (HOLD)**.
- **Programmable keys** (F1, F2, Enter + F2) to assign to the following functions:
 - **Print**
 - **Units kg/lb switch**
 - **M+ (accumulation and print)**
 - **MC (memory cleaning)**
 - **Weight / Weight Accumulation / Times Weight Accumulation Display Switch**.
 - **HR (high resolution switch)**
 - Input **Pre-Tare** value.



Dimensions in mm.

Transport weight: 1.5 kg

TECHNICAL SPECIFICATIONS

Analog Specifications:

Load Cell Excitation	5 V DC \pm 5% 60 mA (Up to Four 350 Ω Load Cells)
Max.Load Cell Input Signal	3 mV/V
Input Sensitivity	0.15 μ V/d
Conversion Rate.....	Approximately 120 times/sec. (max.)
Resolution	20 bits

Digital Specifications:

Display.....	LCD, 6 digits, 25.4 x 10 mm (W x H), LED backlight
Display Frequency	50 times/sec. (max)
Display Range.....	-999 999 ~ 999 999
Min. Division.....	1, 2, 5, 10, 20, 50
Decimal Point.....	0, 0.0, 0.00, 0.000, 0.0000
Memory	Calibration parameter and function setting are all stored in EEPROM

Serial Interface: RS-232 Port

Power Requirement:

Adaptor.....	Input 230 V AC 50 ~ 60 Hz / Output: 9 V DC / 1000 mA
Optional Batteries	5 pcs size AA
Battery Life	24 hours: 110 mA consumption / 4 load cells of 350 Ω with backlight 50 hours: 45 mA consumption / 1 load cell of 350 Ω without backlight

Other Specifications:

Operating Temperature	0 ~ 40 $^{\circ}$ C
Protection	IP40
Operating Humidity.....	< 85% R.H. non-condensing
Dimensions (W x D x H) (mm)	193 x 49.5 x 94.4 (indicator housing) 225 x 60 x 134.7 (mounting hardware included)